

HF Antenna GND wire cable set

CGW-560



Easy Installation to any tight or larger space of your balcony or veranda to operate HF.
 Also great for field HF operation
 Take it anyway in your field.
ASSEMBLED 16 AWG, 300v x 6 wires by Comet factory.
Just put the ring to UHF connector (SO239) and go.

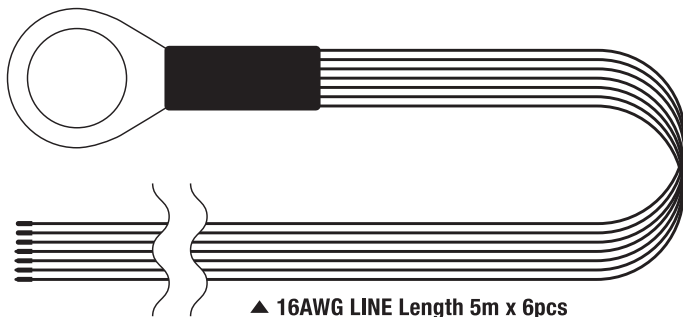
- Assembled ground wire useful for apartment use.
- Useful 6 wires for span of adjustable range.
- Simple make, just put in M-J connector and attach an antenna.



▲ Weather proof finish on end of each wire

Image

▼ CRIMP TERMINAL

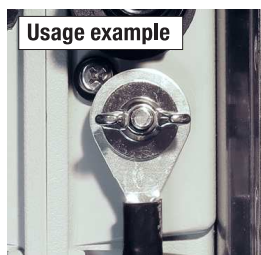


▲ 16AWG LINE Length 5m x 6pcs

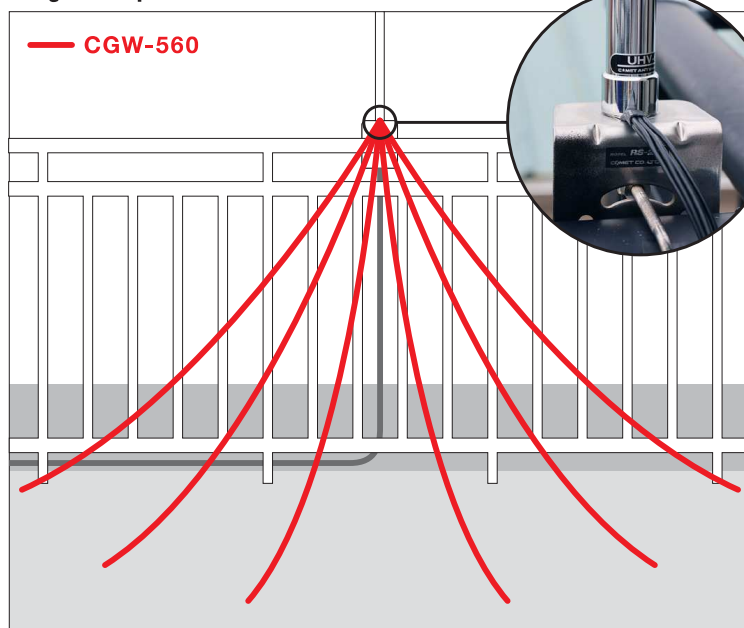
▼ C/W 2X ring washer for ATU terminal.



Usage example



Usage example on a veranda



* This is an example for use. All is sold separately except CGW-560.

Specifications

Model	CGW-560
Outline	HF Antenna GND wire cable set
Installation Interface	M16Screw M-J connector
16AWG Line size	1,25sq equivalency length 5m x 6
Weight	Approx. 480g