

MODEL **CA-712EF** for 440~450MHz
CA-712EFC for 460~470MHz

Instruction Manual

Thank you for purchasing our products.

For your safety :
 Read this manual carefully for proper handling and operation before using.
 Keep this manual in a safe place for future reference.

- 【Features】**
- High Gain type transposed collinear antenna.
 - Heavy-duty fiberglass guarantees perfect water/pollut ion-proof and prevents QSB.
 - Lightning protection antenna.

【Specifications】
 Frequency : 440 - 450 MHz (CA-712EF)
 460 - 470 MHz (CA-712EFC)
 Gain : 9.8 dBi
 Impedance : 50 Ω
 VSWR : 1.5 or less
 Length : approx. 3.2 m
 Max Input Power : 200W (SSB)
 Weight : 1.3 kg
 Mounting Mast Diameter : Φ30-62mm
 Max Wind Survival : 40m/s
 Connector : N-Jack (Female)

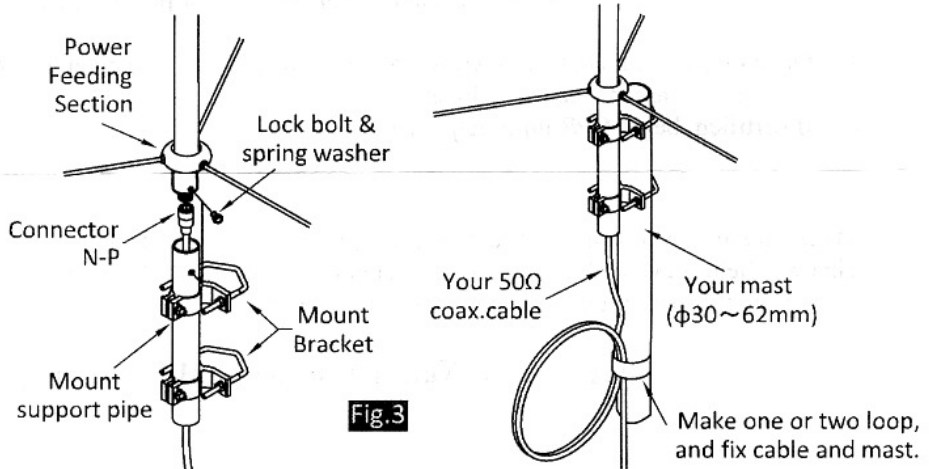
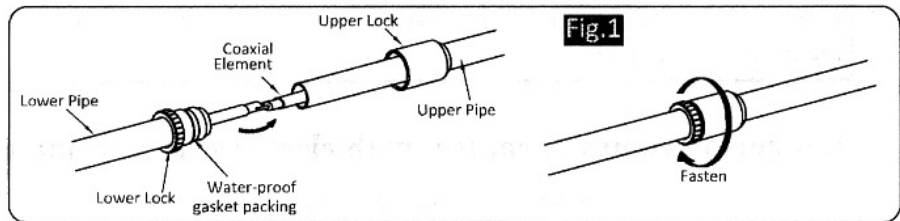
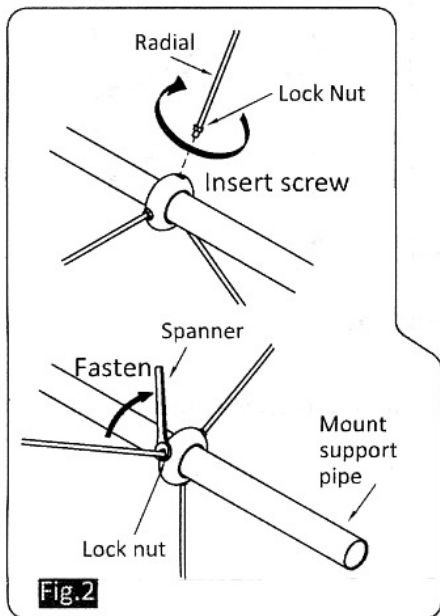
【Parts List】

1. Antenna Main body	- 1
2. Radial w/ Hex. nut	- 3
3. Mount bracket	- 2
4. Mount support pipe	- 1
5. Lock bolt w/ sp.washer M6x10	- 1
6. Hex.bolt w/ sp.washer M6x30	- 2
7. U-Bolt w/sp.washer & Hex.nut	- 2

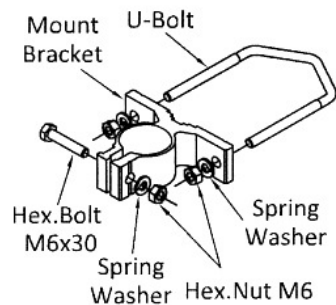
【How To Assemble】

- 1.Put the Upper Pipe into the Lower Pipe. Then, assemble the ABS Joint with rubber washer. (See Fig. 1)
2. Assemble three radials. Fasten radial-lock Nuts securely with spanner etc.... (See Fig. 2)
3. Put two mount brackets on the mount support pipe. Pass the coax cable through the pipe, and attach it to power feeding section. Be sure to fasten hex bolts firmly. Then, attach support pipe onto the antenna. (See Fig. 3)
4. Mount all assembled antennas on your mast.
 This antenna is so long. Keep your eyes on balance of this antenna and use as strong mast as you can, between 30 to 62mm dia.

*Make sure to use low loss coax cable.



◆Mount Bracket & U-Bolt



Note : For long-term use, water-proofing with glue, self-fusing tape, and/or vinyl tape is highly recommended.

- ⚠ Precautions for using**
- This antenna is only for ham radio. Do not use this for other purposes.
 - Operation outside the specification might damage the antenna.
 - Adjust the antenna correctly. Elevated SWR could damage the antenna.
 - Never attempt to modify or fix the antenna by yourself.
 - Do not touch the antenna while transmitting.

◆Specifications or appearance is subject to change without notice.

COMET CO.,LTD.

4-18-2, Tsuji, Minami-ku, Saitama-shi, Saitama-Pref, 336-0026, JAPAN
 TEL : 81-48-839-3131 / FAX : 81-48-839-3136
 URL : <http://www.comet-ant.co.jp/english>